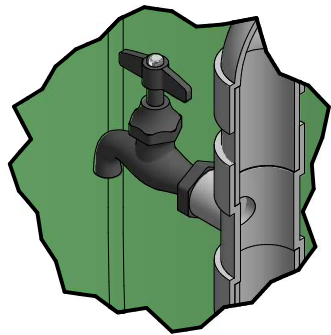
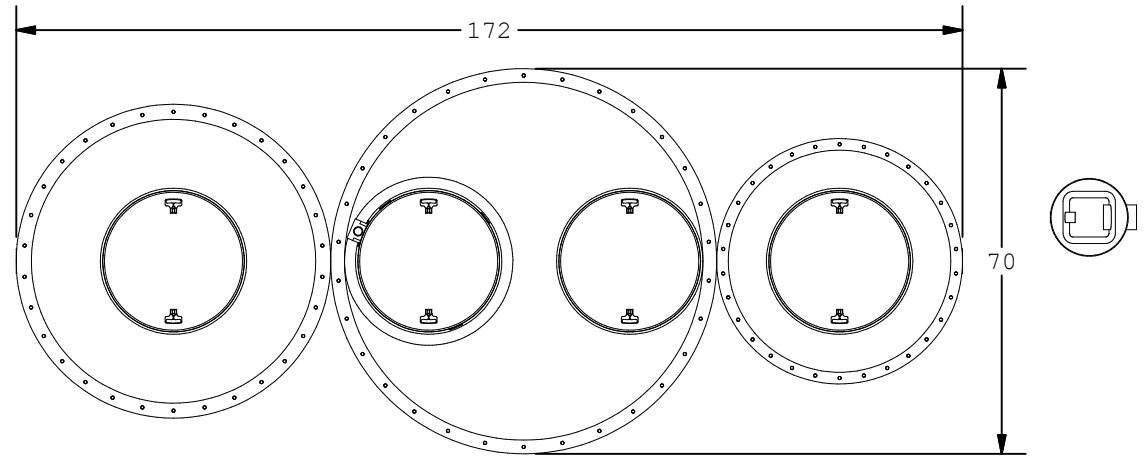
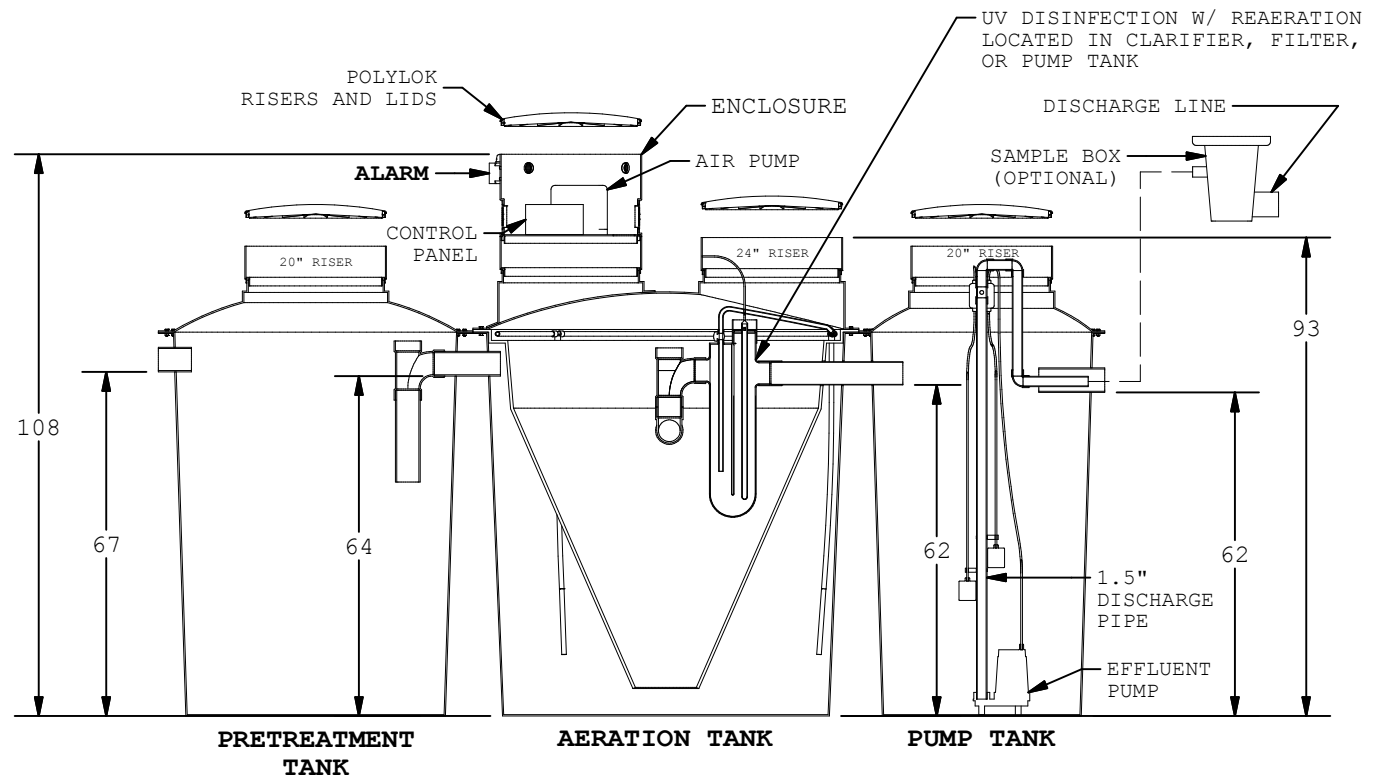


SAMPLE VALVE



SAMPLE VALVE



PART DESCRIPTION:

AP SERIES UV DISINFECTOR

TOLERANCES UNLESS OTHERWISE SPECIFIED
 FRACTIONS ANGLES
 ±1/2" ±1°

REV #:1

SCALE:
 1 / 35

DATE:
 9/12/2017

DRAWN BY:
 Israel Debro

SHEET #:
 1 OF 1

DIMENSIONS ARE IN INCHES UNLESS OTHERWISE SPECIFIED

PART #:

AP-500/5+3 NPDES